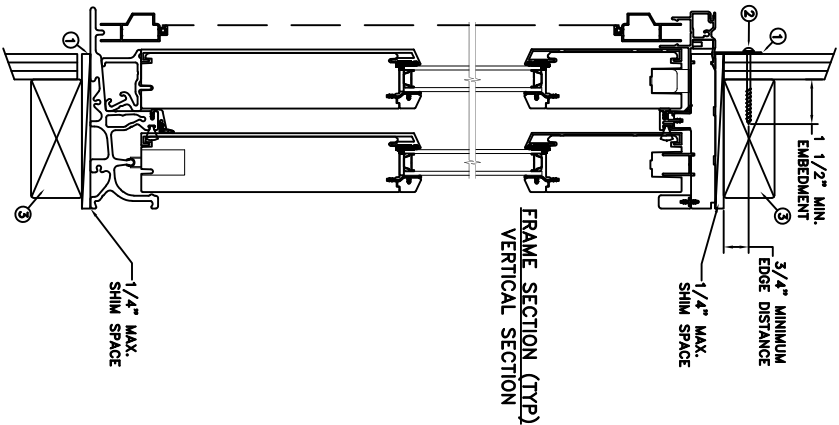
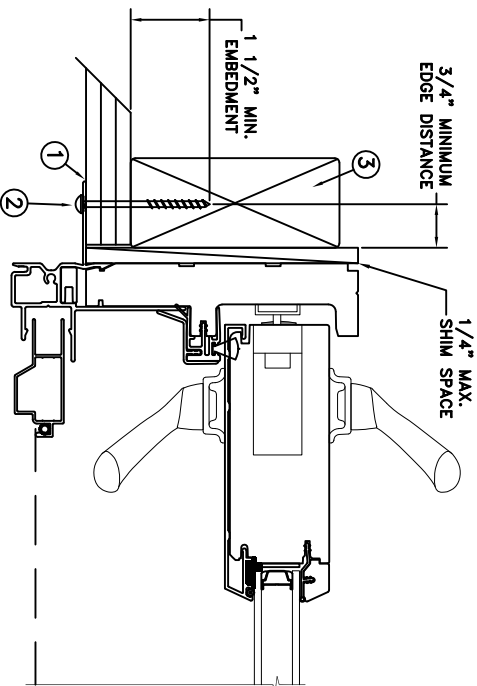


TYPICAL ELEVATION WITH FASTENER SPACING



FRAME SECTION (TYP)  
VERTICAL SECTION



FRAME JAMB SECTION (TYP)  
HORIZONTAL SECTION

NAILFIN INSTALLATION

- Installation Notes:**
1. Seal flange/frame to substrate. Sill shall be set on a continuous serpentine bead of structural grade silicone caulk when no fastener is used to anchor the sill (typical).
  2. Use #8 PH or greater fastener through the nailing flange with sufficient length to penetrate a minimum of 1 1/2" into the wood framing. For 2x wood frame substrate (min. S.G. = 0.42)
  3. Host structure (wood buck, masonry, steel) to be designed and anchored to properly transfer all loads to the structure. The host structure is the responsibility of the architect or engineer of record for the project of installation.

- General Notes:**
1. The product shown herein is designed, tested and manufactured to comply with the wind load criteria of the 2018 International Residential Code (IRC), the 2018 International Building Code (IBC).
  2. All glazing shall conform to ASTM E1300.
  3. Use structural or composite shims where required.

MAXIMUM FRAME	DP	IMPACT
95 1/4 x 95 1/2	+50/-50	NO

This schedule addresses only the fasteners required to anchor the unit to achieve the rated design pressure and impact performance. (Where applicable) up to the size limitations noted. It is not intended as a guide to the installation process and does not address the sealing consideration that may arise in different wall conditions. For the complete installation procedure, see the instructions packaged with the unit or go to [www.jeld-wen.com](http://www.jeld-wen.com).

**DISCLAIMER:**  
This drawing and its contents are confidential and are not to be reproduced or copied in whole or in part or used or disclosed to others except as authorized by JELD-WEN Inc.

"AS TESTED"

DATE: 06/24/2021	DRAWN BY: J.HAWKINS	CHECKED BY: C.ABBOTT	APPROVED BY: D.STOKES	RECORD NO.:	REPORT NO.:	CAD DWG. No.:	REV:	SHEET
SCALE: NTS	TITLE: Stiline Clad Wide Stile 2-Panel Sliding Door	3737 LAKEPORT BLVD. KLAMATH FALLS OR, 97601 PHONE: (800) 535-3936		D015539	M4123.01-301-47	StilineCLWSL2Pnl Cert	A	1 OF 1